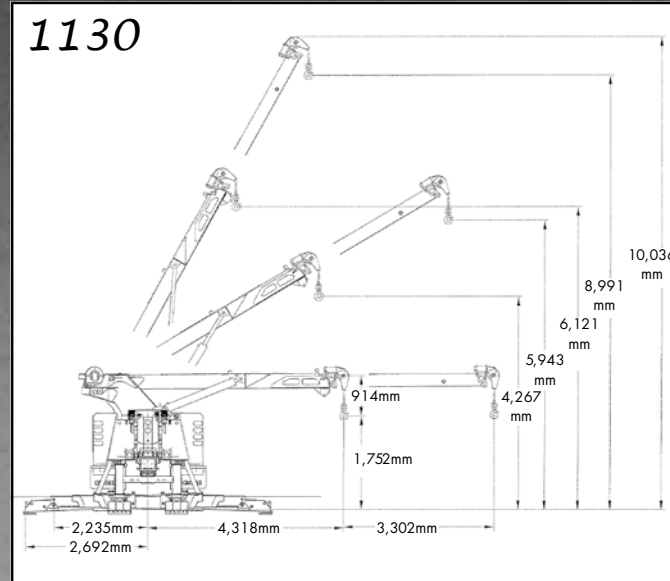
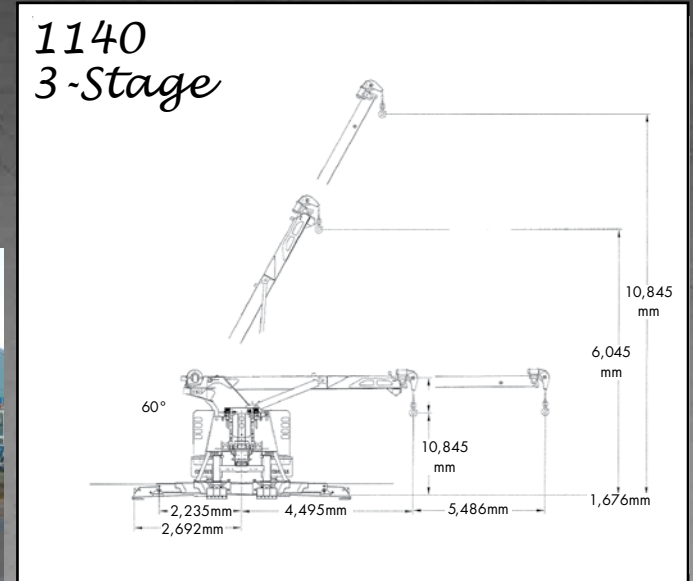


1130



The 13.6 tonne 1130 Rotator comes in several configurations: the 3,962mm and 4,572mm tandem-axle model, and the 4,572mm CB aluminum modular body tri-axle version. All 1130 models are equipped with dual 11,343kg planetary two-speed winches and a fabricated two-stage recovery boom with 190 degrees of rotation in each direction. Other standard features include double-action latches, spacious storage compartments, eight-function wireless underlift controls and more.

1140



The popular Century 1140 40-ton Rotator includes many of the features found in Century's larger 60- and 75-ton models but in a lighter-weight package. Designed for versatility in both towing and recovery, the 1140 is outfitted with dual 35,000-lb. planetary two-speed winches and a fabricated three-stage recovery boom with 190 degrees of rotation in each direction. The 1140 can be ordered with or 180" tandem-axle model, 180" CB tri-axle unit, or the 204" CB RXP Body option.

CENTURY®



The Century RXP option for the 1140 tri-axle rotator incorporates dual 15,880kg, two-speed planetary winches, as well as 5,384mm of spread for more stability when lifting. The RXP also provides additional front-axle weight for towing heavier loads and gives operators countless rigging possibilities for those difficult recoveries, thanks to the two additional winches.



The rear outriggers on Century Rotators were redesigned with a 2½° angle and are now fitted with new lighter-weight spade attachment



that is easily stored on the rear legs. The user-friendly spade attachments are secured with a pin that can be quickly and easily removed so the attachments simply flip down into spade position. Also shown is the optional tailboard D-Ring package and aluminum dress-up kit.



The LDU is standard on both the 1130 and 1140, and provides 3,530mm of reach with a lift capacity of 6,805kg when fully extended. Fully retracted, the LDU has a reach of 1,397mm and a lift capacity of 15,880kg



Pictured here are the Optional Radio Proportional Illuminated Controls with Dual Manual Controls. The backlit controls offer better visibility in low light environments. The wireless proportional remote control allows the operator to move around the recovery scene while simultaneously operating the boom and winch functions.



Century's aluminum body is designed to optimize space for your lift forks and popular towing and recovery equipment. Optional front tunnel saddle boxes are available in a variety of sizes to meet your specific equipment needs. All Century Heavy-Duty bodies come with an aluminum tread-plate walkway for easy access to the center section of the recovery unit.



Dual 6,800Kg turret-mounted winches are optional on the Century 1140 Rotator and come with additional sheave heads mounted on the side of the outer boom.

CENTURY®

1130 & 1140 ROTATORS



BOOM SPECIFICATIONS

Maximum Angle	60°
Boom Rotation (From Stowed Position) ..	190° CW & CCW
1130	
Retracted	27,223 kgs.
Extended	11,343 kgs.
Maximum Hook Height	8,991 mm
Boom Extension	3,302 mm
1140 3-Stage	
Retracted	36,297 kgs.
Extended	9,074 kgs.
Maximum Hook Height	10,845 mm
Boom Extension	5,486 mm

WINCH & CABLE RATING

EN14492 Compliant

1130

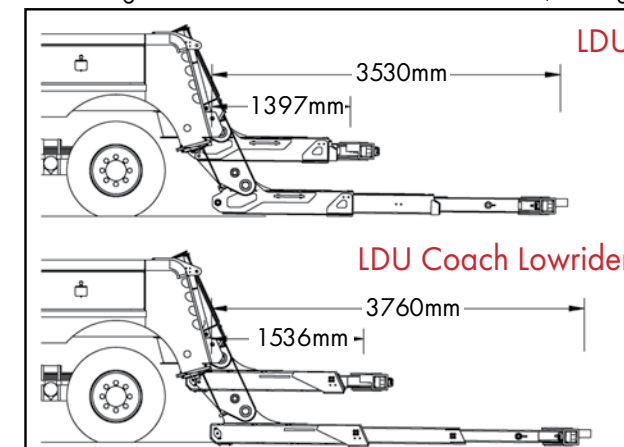
Rating (first layer of drum) each Winch	11,343 kgs.
Diameter and Length (each winch)	16mm x 66m

1140 / 1130 31K Winch Option

Rating (first layer of drum) each Winch	15,880 kgs.
Diameter and Length (each winch)	20mm x 66m

LDU SPECIFICATIONS

Fully Retracted - 1,397mm	15,880 kgs.
Fully Extended - 3,530mm	6,805 kgs.
Tilt	10° +/-
Tow Rating	36,297 kgs.



Based on a 42" chassis frame height. Retracted distance taken with fork holders flipped inward.

CHASSIS RECOMMENDATION

Suitable for a wide range of chassis.

Contact sales to discuss individual applications.

Email: sales@millerind.eu

All ratings are based on structural factors only, not vehicle capacities or capabilities. Specifications shown are approximations and may vary depending on chassis selected. Miller Industries Towing Equipment Inc. reserves the right to change or modify product and or specifications without notice or obligation. Some equipment shown is optional.

BODY CONFIGURATIONS

Standard

1130/1140 - Top Beam Legs

Optional Configurations

1130/1140 - Top or H-Beam

1140 - RXP

STANDARD BODY FEATURES

- 4,572mm CB Aluminum Modular Body
- Lighting To Meet EU Regulations
- Compartments Over Wheel Well
- Double Action Latches
- LED Toolbox Lighting
- Rubber Fenderettes & Mud Flaps
- Chain Rack & Fork Holders
- Rubber Isolators
- Enclosed Inner Wheel Wells
- Rigid Torsional Resistant Mounting Frame
- Tailboard Mounted D-Rings (1 Pair)
- Flip Down Rear Outrigger Spades
- Rear Air & Electrical Hook-ups

STANDARD BOOM FEATURES

- 360° of Boom Rotation / 190° Each Direction
- Proportioning Power Boom Ext. with Counter Balance Valve
- Dual Control Stations (US Spec Only)
- Boom Elevation & Extension Holding Valve
- Boom Angle Indicator
- Dual 2-Speed Winches
- Cable Tensioners & Winch Air Free Spool

OPTIONAL EQUIPMENT

- 5,384 mm Two-Stage Under-frame "H-Beam" Front Outriggers
- 6,654 mm Three-Stage Under-frame "H-Beam" Front Outriggers*
- 5,384 mm RXP Front Outriggers*
- Additional Lift Forks & Attachments*
- Dual 6,805 kg Turret Mounted Winches* (N/A on 1140s with RXP Option)
- 6,805 Kg or 14,065 Kg Belly Drag Winch (1130 Only)
- 15,880 Kg or 14,065 Kg Belly Drag Winch (1140 Only)
- Radio Proportional Controls
- Radio Proportional Controls with Dual Manual Controls
- Stainless & Aluminum Dress Up Kits
- *Only available on the 1140

STANDARD BOOM FEATURES (CONT.)

- Hydraulic Front Outriggers (Over Frame)
- Hydraulic Rear Outriggers
- Air Activated House Lock, Secures Boom in Rear or Forward Position for Transport
- House Lock Indicator & Window
- Hydraulic Pump (Installed Units)
- 360° Sheave Heads
- Hydraulic Pressure Gauge (Driver Side)
- "D" Rings Mounted on Each Stage

STANDARD UNDERLIFT FEATURES

- 8 Function Wireless Remote
- Power Elevation & Extension
- Power Tilt & Hydraulic Fold
- 3-Stage Design
- Fabricated Low Profile 70° Pivoting Crossbar
- 2 Piece Pivot Pin
- Upper/Lower Thrust Washer
- Low Profile Fork Holders
- 9 Pairs of Cast Steel Forks
- 1 Pair of Spring Lift Adapters
- 1 Pair of Hook Adapters
- Safety Chains In Tailboard

- Customised Bodywork
- Chain Rack
- Shelf Kit
- Attachment Storage
- LDU Coach Lowrider (1,536mm/3,771mm)
- SDU-4 Underlift* (1,447mm/3,645mm)
- SDU-4 Coach Lowrider* (1,613mm/4,203mm)
- Keyless Lock/Unlock Compartments
- Outrigger Spade Attachments
- Tailboard Underlift Controls
- Chain & Strap Packages
- Aluminum Tubular Pylon
- Tailboard D-Ring Package
- Rear Camera & Monitor (Dual)
- Xenon Boom Lights
- Work & Hook-Up Lighting

DISTRIBUTED BY:



©2012 Miller Europe. All Rights Reserved.

CENTURY®

Howlett Way • Theford • England, IP24 1HZ
0044 1842 754232 FAX 0044 1842 765619

www.millerind.eu