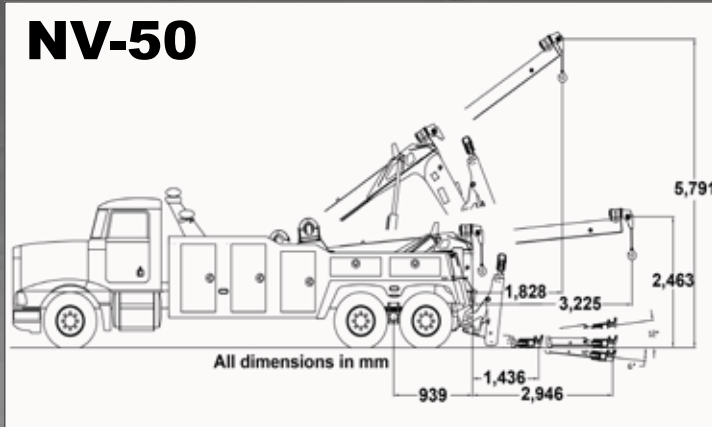


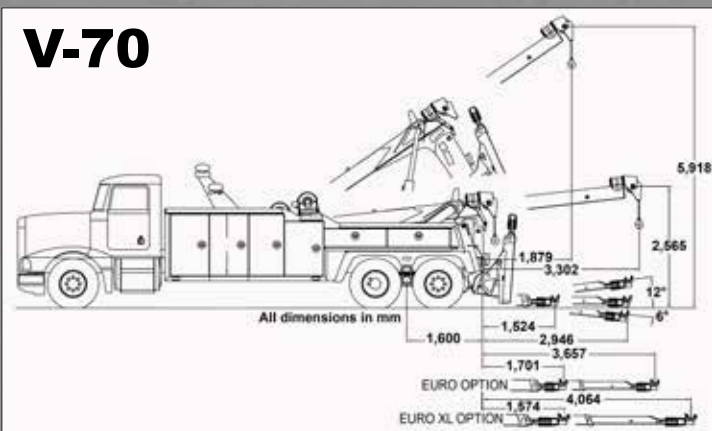
Innovative • Durable • Brutally Tough



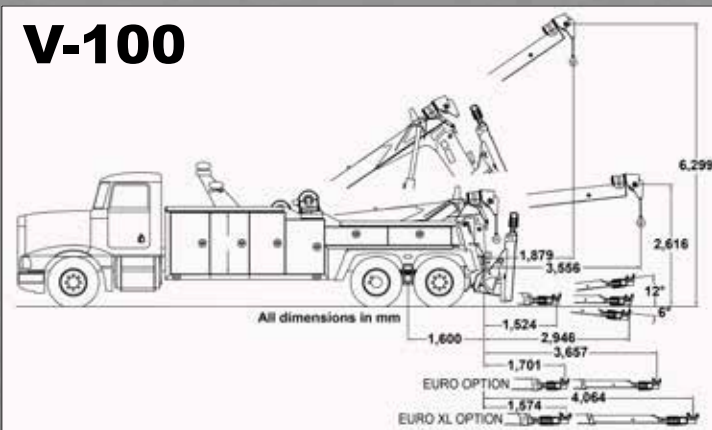
NV-50



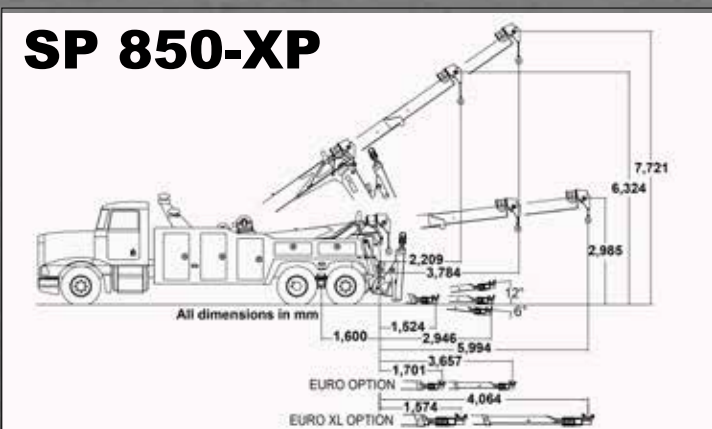
V-70



V-100



SP 850-XP



The newly designed stainless steel or aluminum bodies provide spacious, modular tool compartments with features that include keyless entry, washable floors, rear tailboard fork storage, along with chain racks and fork holders. Other popular options include a 7-drawer tool box, folding sink, and fold-down storage brackets for the heavy-duty tire lift.



Illuminated manual controls, winch air-free spools, and pressure gauges are standard on the drivers & passenger side control stations.



The rear tailboard provides quick access to a pair of lifting forks, air & electrical hook-ups and safety chains, along with the optional tailboard underlift controls.



Vulcan's independent rear spades provide a wide footprint and are now available with multi-position flipper feet. The new multi-position flipper foot option can be configured in three different positions, a flat foot, spade, or shovel to provide sure footing of your unit on a variety of different surfaces.



For difficult-to-tow vehicles, the 3-stages of the underlift are fabricated of high-tensile steel to provide additional reach while maintaining a low profile without sacrificing strength. The optional Euro Stinger or Euro Stinger XL for a V-70 or V-100, shown here, gives you an extended reach of up to 4,064mm without sacrificing the low profile of the underlift.



The Vulcan PolyBilt body option features include brushed aluminum roll-up doors with remote lock/unlock, adjustable poly shelving, chain racks lift fork storage.





HEAVY DUTY INTEGRATED



Standard Features

- Dual Control Stations w/Direct Link Activated Levers
- Pressure Gauges
- Hour Meter
- Hydraulic Pump
- Independent Hydraulic Rear Spades
- Pavement Pads (n/a with Flipper Feet)
- Tailboard D-Rings
- Safety Chain in Rear Pockets
- Tailboard Fork & Tie-down Chain Storage
- Tailboard Recovery Anchors
- Air & Electric Hook Up

Body Features

- Aluminum or Stainless Steel Body w/Rubber Mounting Isolators
- LED Body Lighting
- LED Tool Compartment Lighting
- Gas Door Shocks
- Double Action Latches
- Custom Storage For All Equipment
- Lift Fork Storage
- Chain Storage
- Aluminum Tread-Plate Walkway
- Mud Flaps

Underlift Features

- Patented Power Tilt
- Hydraulic Fold
- 3-Stage Design
- 12 FXN Wireless Remote Control with Charging/Docking Station
- Low Profile 70° Pivoting Heavy Duty Fabricated Cross Bar
- Low Profile Fork Holders
- 9 Sets of Cast Steel Forks: Short Axle Fork, 76mm Short, 76mm Medium, 76mm Tall, 114mm Short, 114mm Medium, 114mm Tall, 52mm Short Offset, Round Axle Fork
- Pivoting Spring Lift Adaptors
- Chain Hook End Caps
- King Pin Tow Plate

Boom Features

- Power Elevation
- Power Extension
- 360° Sheave Head
- Cable Tie Backs
- Spherical Bearings in Main Boom
- Dual 2-Speed Planetary Winches
- Cable Tensioners
- Winch Air Free Spool

Optional Features

- Air Shift P.T.O.
- PolyBilt Body
- MVEC Power Distribution
- Light Pylon
- Euro Stinger (V-70/V-100 only)
- Multi-Position Flipper Feet
- Rear Outrigger
- Heavy Duty Tire Lift
- Tire Lift Storage Brackets
- Fork Risers
- Pintle Hook Attachment
- 5th Wheel Plate (Requires Pintle Hook Attachment)
- King Pin Attachment (Requires Pintle Hook Attachment)
- Trailer Ball Adapter (Requires Pintle Hook Attachment)
- Additional Lift Forks
- Underlift Light Kit (LED)
- Additional Lighting
- Side Work Lights
- Chain Package
- Endless Loop Sling Package
- Screw Pin Shackle Kit
- Spreader Bars
- Tailboard Underlift Controls
- 3 or 4 Drawer Toolbox
- Washdown Sink
- Snatch Blocks
- Wide Load Light Bar
- Dual Camera & Monitor
- Convenience Groups
- Aluminum Dress Up Kits
- Installation

Boom Specifications

Model	Boom Structural Rating (S.A.E.)		Boom Angle	Maximum Hook Height (inches)	Hydraulic Boom Extension (inches)
	Retracted 30°	Extended 30°			
NV-50	22,686 kgs.	6,805 kgs.	30°	5,791 mm	3,048 mm
V-70	31,760 kgs.	12,704 kgs.	35°	5,918 mm	3,048 mm
V-100	45,372 kgs.	15,880 kgs.	35°	6,299 mm	3,657 mm
V-100 (3-Stage)	45,372 kgs.	8,166 kgs.	35°	7,721 mm	5,486 mm

All ratings are based on structural factors only, not vehicle capacities or capabilities. Specifications shown are approximations and may vary depending on chassis selected. Miller Industries Towing Equipment Inc. reserves the right to change or modify product and/or specifications without notice or obligation. Some equipment shown is optional.

*All Recommendations are minimums. Heavier specifications may be required depending on chassis and equipment weight.

The outside frame rails of chassis extending behind the cab must be free of fuel tanks, air tanks, battery boxes, etc.

Underlift Specifications

Model	Extended Underlift	Retracted Underlift	Tilt Arc	Tow Rating
NV-50	6,805 kgs. @ 2,921 mm	11,343 kgs. @ 1,346 mm	18°	36,297 kgs.
V-70	7,259 kgs. @ 2,946 mm	15,880 kgs. @ 1,524 mm	18°	36,297 kgs.
V-70 (Euro-Stinger)	7,259 kgs. @ 3,657 mm	15,880 kgs. @ 1,701 mm	18°	36,297 kgs.
V-70 (Euro-Stinger XL)	7,259 kgs. @ 4,064 mm	15,880 kgs. @ 1,701 mm	18°	36,297 kgs.
V-100	8,166 kgs @ 2,946 mm	24,954 kgs. @ 1,524 mm	18°	36,297 kgs.
V-100 (Euro-Stinger)	8,166 kgs. @ 3,657 mm	24,954 kgs. @ 1,701 mm	18°	36,297 kgs.
V-100 (Euro-Stinger XL)	8,166 kgs. @ 4,064 mm	24,954 kgs. @ 1,701 mm	18°	36,297 kgs.

Winch Specifications

Model	Winch Capacity	Winch Type	Cable Specifications
NV-50	11,343 kgs.	Dual Planetary Winch	16mm x 66m I.W.R.C.
V-70	15,880 kgs.	Dual Planetary Winch	20mm x 66m I.W.R.C.
V-100 (3-Stage)	14,065 kgs. (downrated from 22,000 kgs.)	Dual Planetary Winch	20mm x 66m I.W.R.C.



Howlett Way • Thetford • England, IP24 1HZ
0044 1842 754232 FAX 0044 1842 765619
www.millerind.eu

DISTRIBUTED BY: